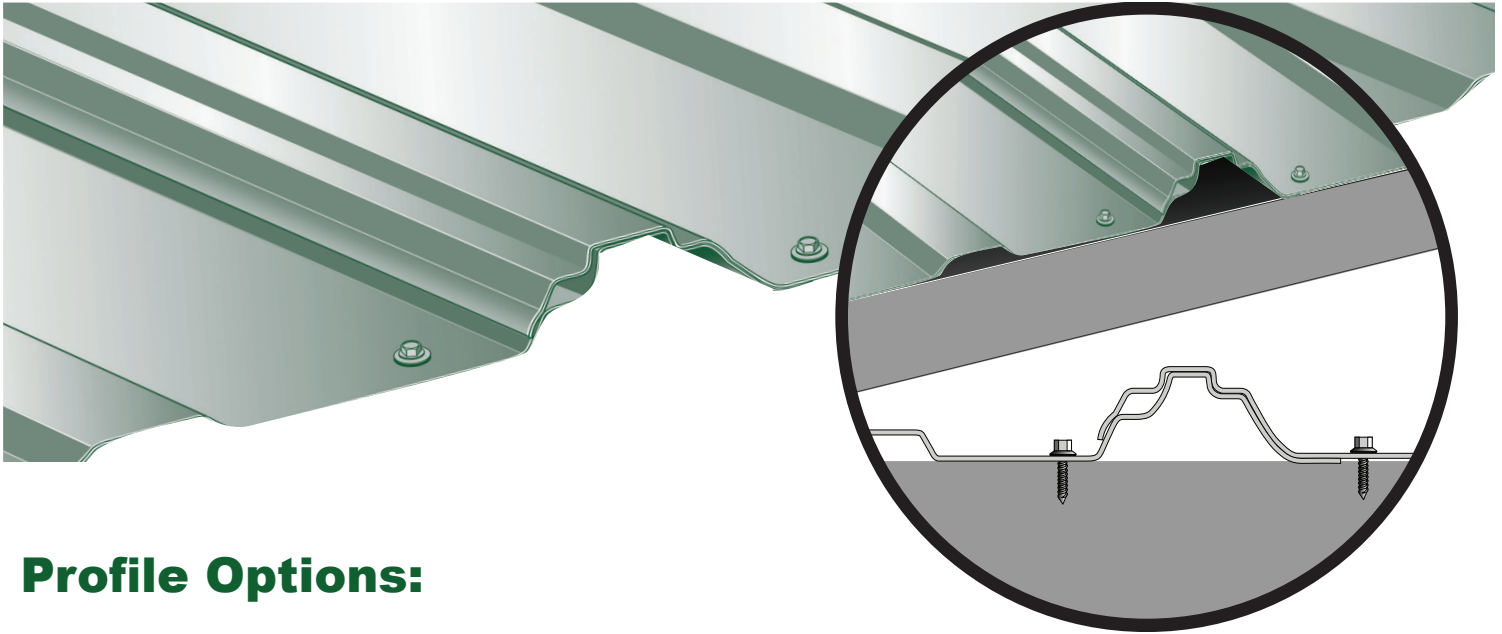


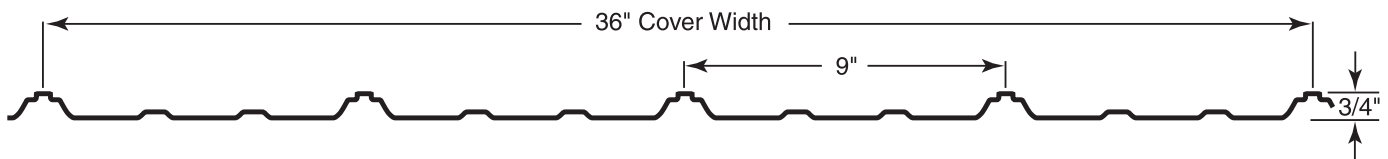
# Everlast Metals

## LYNX

The Everlast Metals LYNX Series is 38" wide and provides 36" of coverage. The major ribs are 9" apart and approximately 3/4" high with two minor ribs in between that are a full 3/16" high. A stiffener is added to all the major ribs which, along with the superior thickness of the steel, makes this panel extremely strong. This not only adds considerable durability to your building, but also prevents rippling during the construction process.



### Profile Options:



### Features:

- Next Generation AZM® Rust Resistance
- COLORBOND® Fade and Chalk Resistance
- Panels made using exclusive Evercure® Process with Heat Forming™
- Industry Leading Packaging
- 40-Year finish warranty
- Exposed fastener system
- Panel width 36"
- Minimum slope requirement 3:12
- Board and batten look
- 28-gauge (.0160) Structural Steel Grade 80